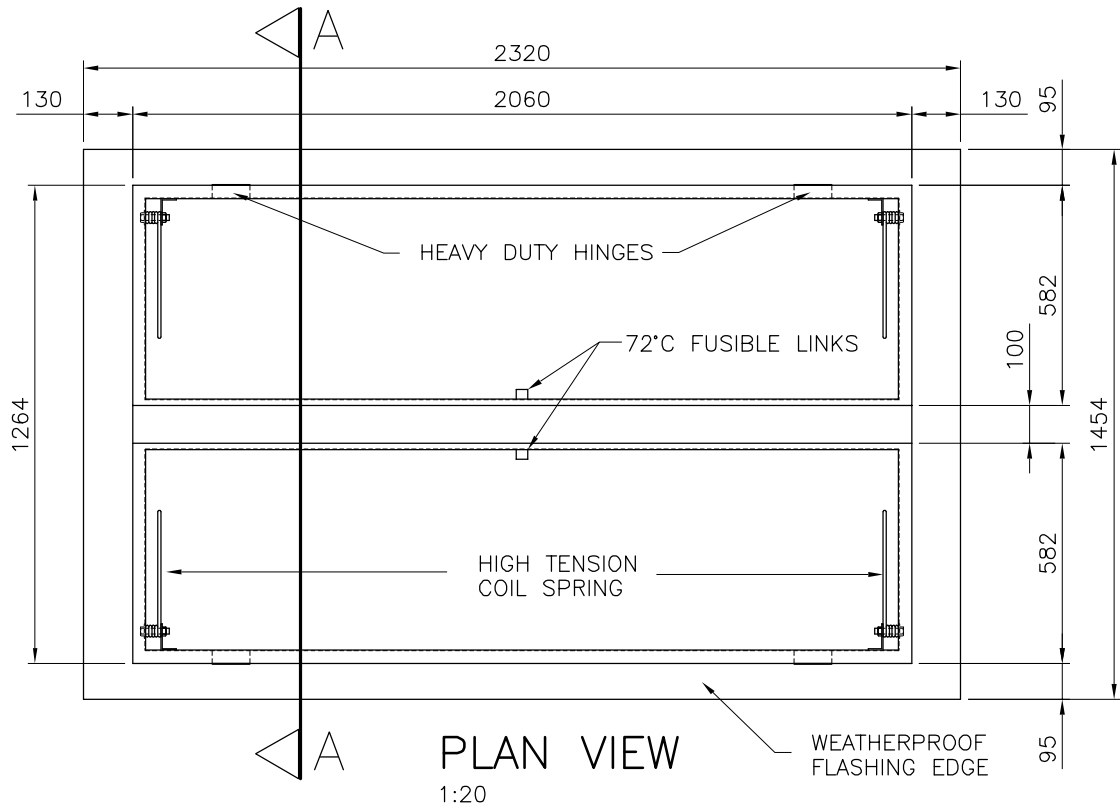


STANDARD CONSTRUCTION

VENTILATOR FRAME 2mm GALVANISED SHEETMETAL
 VENTILATOR LIDS 1.6mm GALVANISED SHEETMETAL
 VENTILATOR LIDS CRIMPED TO FACILITATE WATER RUN-OFF

72°C FUSIBLE LINK DETAIL
 1:2



MODERN PRODUCTS cc

9 Edward Road, Ottery 7800, Cape Town
 P.O. Box 45742, Ottery 7808
 Tel: (021) 703 9250/1/2
 Fax: (021) 703 5902
 Email: modprod@mweb.co.za
 Web: www.modernproducts.co.za

Drawing Title				
SINGLE PURPOSE SMOKE VENTILATOR DETAILS				
Scale	Drawn	Checked	Date	Drawing No.
1:20	MS	KS	May 10	